

CAD S

0 to **installed** in 10 seconds.



CAD S

The one-of-a-kind **Ultra Broad Band** component with **single cable connection**.

A **new family** of taps and splitters is born.

To complete the Fracarro range of taps and splitters, a new family **CAD S** is born.

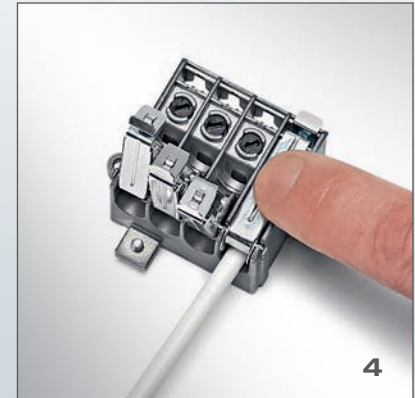
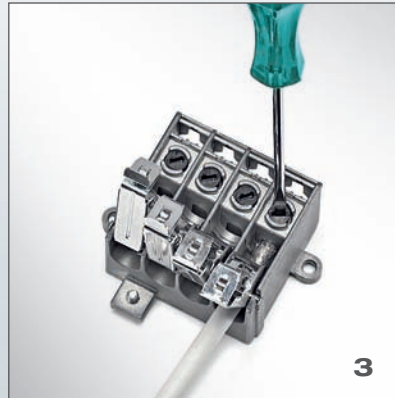
Their patented features make them reliable and easy to install.

They guarantee superb shielding (class A) and excellent impedance matching; the taps and splitters of the **CAD S** family are the result of an intensive development project and are one-of-a-kind with a UBB input to allow a single cable connection.



In 4 simple steps, the connection is complete!

- 1 Prepare the cable
- 2 Insert the cable in the terminal
- 3 Fix the central conductor (screw)
- 4 Close the cover



CAD **S** distinguish themselves with their...



- Fast and safe installation
- Class A shielding
- Patented connector
- Preparation for cables with different thicknesses
- All in one unit (so no parts are lost)
- Guaranteed cable integrity
- Reliable and long-lasting connection

2-3-4-5- output splitters

PP2		RC	TV	SAT		
Frequency	MHz	5-40	47-862	950-1750	1750-2150	2150-2400
Insertion loss	dB	4	4	4,5	5	5,5
Output isolation	dB	25	22	20	20	18

PP3		RC	TV	SAT		
Frequency	MHz	5-40	47-862	950-1750	1750-2150	2150-2400
Insertion loss	dB	6,5	6,5	6,5	7	8
Output isolation	dB	20	20	20	20	18

PP4		RC	TV	SAT		
Frequency	MHz	5-40	47-862	950-1750	1750-2150	2150-2400
Insertion loss	dB	9,5	9,5	10	10,5	11
Output isolation	dB	20	25	25	20	18

PP5		RC	TV	SAT		
Frequency	MHz	5-40	47-862	950-1750	1750-2150	2150-2400
Insertion loss	dB	11	11	11,5	12	13
Output isolation	dB	20	25	25	22	18

1 way Taps

CD1-10		RC	TV	SAT		
Frequency	MHz	5-40	47-862	950-1750	1750-2150	2150-2400
Insertion loss	dB	1,8	1,6	2	2,3	2,6
Tap loss	dB	10	10	10	10	10
Tap output isolation	dB	28	30	30	28	32

CD1-14		RC	TV	SAT		
Frequency	MHz	5-40	47-862	950-1750	1750-2150	2150-2400
Insertion loss	dB	0,8	0,8	1,3	1,5	2
Tap loss	dB	14,5	14,5	14,5	14,5	14
Tap output isolation	dB	30	33	25	25	24

CD1-18		RC	TV	SAT		
Frequency	MHz	5-40	47-862	950-1750	1750-2150	2150-2400
Insertion loss	dB	0,8	0,8	1,3	1,5	2
Tap loss	dB	18	18	17,5	18	18
Tap output isolation	dB	32	35	30	27	24

CD1-22		RC	TV	SAT		
Frequency	MHz	5-40	47-862	950-1750	1750-2150	2150-2400
Insertion loss	dB	0,8	0,8	1,3	1,5	2
Tap loss	dB	22	22	21,5	22	22
Tap output isolation	dB	36	40	35	30	27

2 way Taps

CD2-10		RC	TV	SAT		
Frequency	MHz	5-40	47-862	950-1750	1750-2150	2150-2400
Insertion loss	dB	3,5	3	3,3	4,2	4,7
Tap loss	dB	11	10	10,5	10,5	11
Tap output isolation	dB	25	28	23	20	18

CD2-14		RC	TV	SAT		
Frequency	MHz	5-40	47-862	950-1750	1750-2150	2150-2400
Insertion loss	dB	1,6	1,5	2,5	2,7	3,5
Tap loss	dB	15	15	14,5	14,5	14,5
Tap output isolation	dB	30	35	25	23	23

CD2-18		RC	TV	SAT		
Frequency	MHz	5-40	47-862	950-1750	1750-2150	2150-2400
Insertion loss	dB	1,6	1,5	2,5	2,7	3,5
Tap loss	dB	18	18	18	18	18
Tap output isolation	dB	32	37	28	26	26

CD2-22		RC	TV	SAT		
Frequency	MHz	5-40	47-862	950-1750	1750-2150	2150-2400
Insertion loss	dB	1,6	1,5	2,5	2,7	3,5
Tap loss	dB	22	22	22	22	22
Tap output isolation	dB	35	40	32	30	30

4 way Taps

CD4-12		RC	TV	SAT		
Frequency	MHz	5-40	47-862	950-1750	1750-2150	2150-2400
Insertion loss	dB	4	3,7	4,5	5,5	6,5
Tap loss	dB	13	12	12	12,5	13
Tap output isolation	dB	27	27	27	25	25

CD4-14		RC	TV	SAT		
Frequency	MHz	5-40	47-862	950-1750	1750-2150	2150-2400
Insertion loss	dB	3,5	3,3	3,7	4,5	5
Tap loss	dB	14	14	14,5	14,5	14,5
Tap output isolation	dB	30	30	30	25	25

CD4-18		RC	TV	SAT		
Frequency	MHz	5-40	47-862	950-1750	1750-2150	2150-2400
Insertion loss	dB	1,6	1,5	2,5	3,5	4
Tap loss	dB	19	18	18	18	18
Tap output isolation	dB	33	35	33	30	25

CD4-22		RC	TV	SAT		
Frequency	MHz	5-40	47-862	950-1750	1750-2150	2150-2400
Insertion loss	dB	1,6	1,5	2,5	3,3	3,8
Tap loss	dB	22	22	22	22	22
Tap output isolation	dB	37	38	37	35	32



FRACARRO RADIOINDUSTRIE SpA

31033 Castelfranco Veneto (TV) - Tel. 0423.7361 - www.fracarro.com